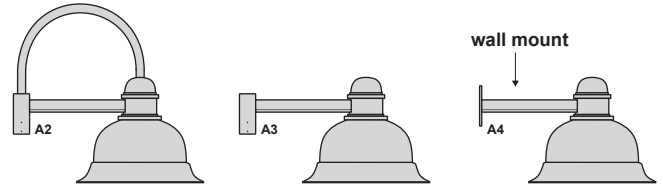
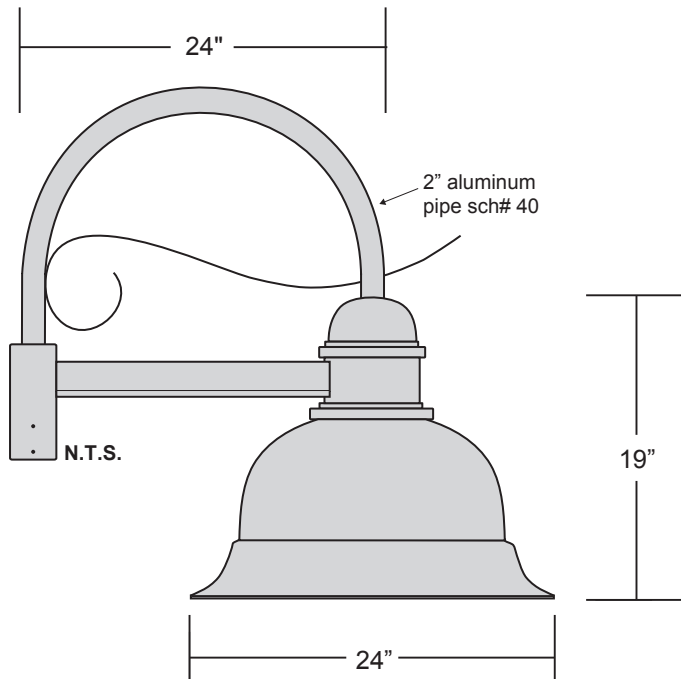




# PLASMA LAKE SERIES



\*minimum tenon size is 3½" O.D x 5"L

## FEATURES/BENEFITS

- Warm White 4500K/Bright White 5500K
- **Suitable for wet locations**
- Control Interface: Analog, Digital and Networkable
- Continuous-Level Dimming
- Mounting Positions: Vertical-Base Up or Down
- 5 Year Warranty (Lamp, Module and RF Driver)

### Ordering Example:

**EL-PLASMA LAKE24-(1)A1-APL250120V-FG-V-COLOR**

Model	Output Lumens (lm)	Color Temperature (K)	Color Rendering (CRI)	Lamp (lm/W)	System (lm/W)	Input Voltage	Service Lifetime	Warm Up Time	Ambient temperature Min/Max (°C)
<b>APL400</b> (230 watts)	20,000	4300K	80	118	87	120-277V or 480V	50,000	30 seconds	-40/+50
	22,500	4500K	70	130	96				
	22,500	5500K	70	130	96				
<b>APL250</b> (130 watts)	11,500	4300K	80	SPECIAL ORDER					
	11,500	4500K	70	115	88				
	11,500	5500K	70	115	88				

## SPECIFICATIONS

- LUMINAIRE:** Heavy ga. spun aluminum housing with case aluminum ballast compartment
- DIFFUSER:** High impact resistant, clear tempered glass 1/8" thick with weather-sealed lens frame
- OPTICS:** Type III, IV or V light distribution
- DRIVER:** Electronic 120-277V (Available in 480V)
- MOUNTING:** Pole mount and wall mount
- ELECTRICAL:** All components UL recognized. Luminaire shipped complete/ready to install
- FINISH:** Powder coat. Standard colors: Black, White, Dark Green and Dark Bronze  
Custom colors available. (Consult factory.)

**APPLICATIONS:** Parking Area and Roadway

All exposed hardware shall be stainless steel.

Exclusively manufactured by:



**ECHO LIGHTING INC.**  
5618 E. Washington Blvd.  
Commerce, CA 90040  
PH: (323) 890-9008 • FAX (323) 890-1981  
Website: www.echolightingla.com

Distributed by:



**TransOne, Inc.**  
2417 Plum Woods Dr.  
Sellersburg, IN 47172  
PH: (812) 376-3514  
Website: www.transonetechology.com